

# 12V 130Ah BATTERY GTX SERIES

CAT # 12V130A-G31-LRBM8



## Battery Details

130Ah at 12.8V  
1,664 Watt-Hours

## Key Benefits

- ✓ Safe, Non-Toxic Lithium Iron Phosphate Cells
- ✓ NeverDie® Battery Management System Maximizes Lifespan
- ✓ Bluetooth® connectivity allows real-time monitoring & diagnostics

## Reliable Power, Unmatched Versatility

Our battery features easy expandability for extended run times and delivers dependable performance, even in extreme temperatures.

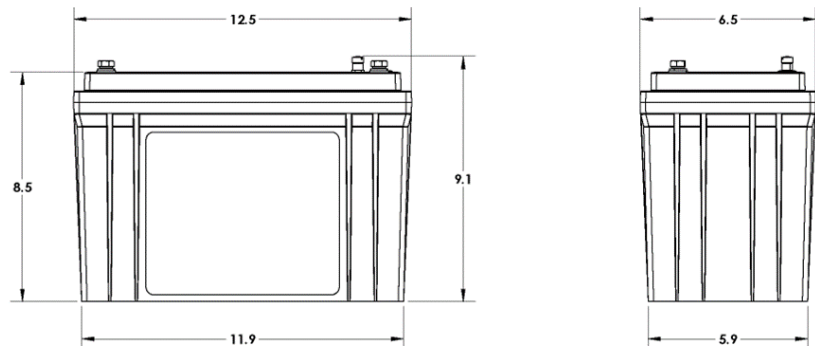
## DIMENSIONS

### Size (L x W x H):

12.5" x 6.5" x 8.5"  
(317.5 x 165.1 x 215.9)

### Weight:

33.4lbs  
(15.1 kg)



# SPECIFICATIONS

---

## VOLTAGE AND CAPACITY

12.8V 130Ah 1,664Wh

## SHIPPING

UN3480, Class 9

## DISCHARGE

10.8-14.4V  $\pm 0.2V$   
-4 to 131°F (-20 to 55°C)  
<50A Recommended  
Discharge Current  
<100A Discharge Current  
<1,000A Pulse Current (1  
second)  
10.8V  $\pm 0.2V$  Cut-Off Voltage

\*Charging and discharging  
rates vary with temperature  
and usage

## ELECTRICAL

<5m $\Omega$  Resistance  
99% Coulombic Efficiency  
<3% Self-Discharge Rate (per  
month).  
Prismatic, LiFePO<sub>4</sub> Cells  
Power Connection: Copper  
Terminals, Nickel Plated, M8-1.25  
Female Threads  
Series Connection not  
supported

## STORAGE

Refer to the Lithionics® Website  
for the Storage Procedure

## MECHANICAL

Mounting Orientation: Upright  
position only (red lid up)  
Ingress Protection: IP66

## CHARGE

14.4V  $\pm 0.2V$   
0°F to 113°F (0°C to 45°C)  
<40A Recommended Charge  
Current  
13.6V  $\pm 0.2V$  Float Voltage  
<100A Charge Current

DS-001

### Powering Innovation.

Discover the right lithium  
replacement system for you.  
Reach out to Lithionics'  
expert support team to find  
your perfect power solution.