

# 12V 410Ah FLATPACK BATTERY MODULE

## GTO SERIES

CAT # GTO12V410A-E1914



### Battery Details

410Ah at 12.8V  
5,248 Watt-Hours

## Key Benefits

- ✓ Safe, Non-Toxic Lithium Iron Phosphate Cells
- ✓ NeverDie® Battery Management System Maximizes Lifespan
- ✓ Fire and Crush Tested Aluminum Alloy Enclosure

### Reliable Power, Unmatched Versatility

Our battery system features easy expandability for extended run times and delivers dependable performance, even in extreme temperatures.

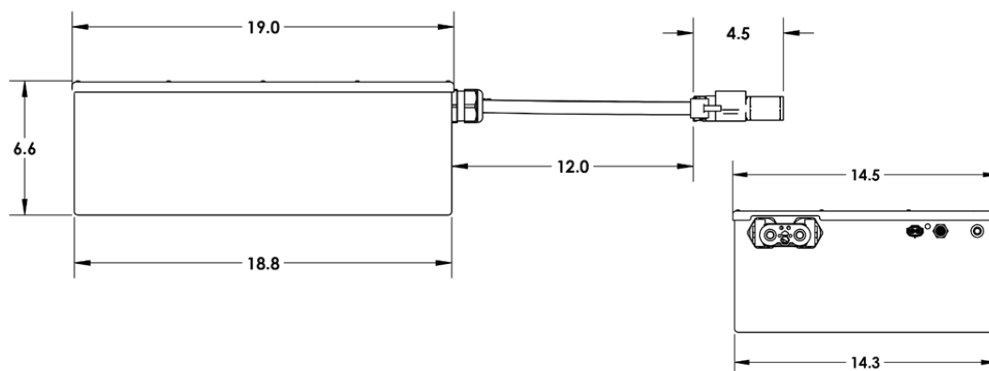
## DIMENSIONS

### Size (L x W x H):

19.0" x 14.5" x 6.6"  
(482.6 x 368.3 x 167.6)

### Weight:

93lbs  
(42.2kg)



# SPECIFICATIONS

## VOLTAGE AND CAPACITY

12.8V 410Ah 5,248Wh

## SHIPPING

UN3480, Class 9

## CERTIFICATIONS

UN38.3, UL 1642

## INTERNAL HEATER

70W Power Rating  
12V Nominal Input Voltage  
5.8A Input Current  
Thermostat Activation and  
Deactivation (Internal) <43°F  
(6°C) On, >48°F (9°C) Off

## STORAGE

Refer to the Lithionics® Website  
for the Storage Procedure

**APPLICATION NOTE: EXTERNAL BMS REQUIRED.  
BMS SOLD SEPARATELY.**

## ELECTRICAL

<2mΩ Resistance  
99% Coulombic Efficiency  
<3% Self-Discharge Rate  
(per month):  
Prismatic, LiFePO<sub>4</sub> Cells  
Power Connection:  
Anderson A320 Female

## DISCHARGE

11.6V to 14.4V ±0.2V  
-22 to 140°F (-30 to 60°C)  
<205A Recommended  
Discharge Current:  
<300A Discharge Current  
<3,000A Pulse Current (1  
second)  
11.6V ±0.2V Cut-Off Voltage

\*Charging and discharging  
rates vary with temperature  
and usage

## MECHANICAL

Mounting Orientation: Upright  
position only (black lid up)  
Aluminum 5052.090" Enclosure  
Military Grade Corrosion  
Protection Enclosure  
Ingress Protection: IP66

## CHARGE

14.4V ±0.2V  
32°F to 140°F (0 to 60°C)  
-4°F (-20°C) with Heater Power  
Connected:  
<205A Recommended Charge  
Current:  
13.6V ±0.2V Float Voltage  
<300A Charge Current

### Powering Innovation.

Discover the right lithium  
replacement system for you.  
Reach out to Lithionics'  
expert support team to find  
your perfect power solution.

## BMS Advanced Features

- External Battery Management System (BMS) for enhanced safety and monitoring
- Bluetooth connectivity for real-time diagnostics
- State-of-Charge (SoC) monitoring to prevent unexpected shutdowns
- High current capability up to 400A for versatile applications
- Remote monitoring app (Google Play and Apple App Store)



**CAT # NDV9**