

# 12V 660Ah BATTERY MODULE GTO SERIES

CAT # GTO12V660A-E2609



## Battery Details

660Ah at 12.8V  
8,448 Watt-Hours



UL 1973 Certified for  
Motive Applications

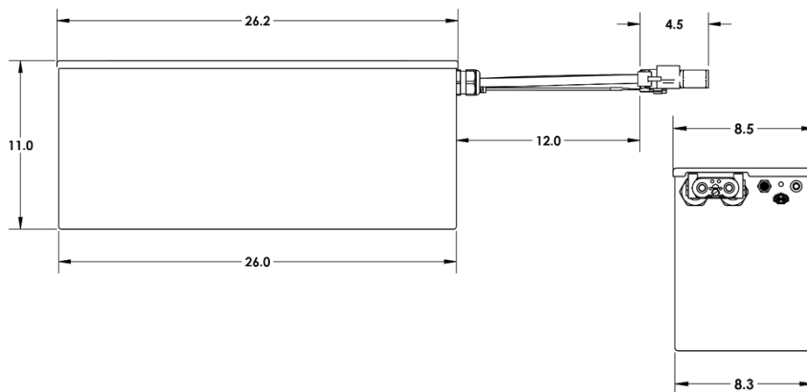
## DIMENSIONS

### Size (L x W x H):

26.2" x 8.5" x 11.0"  
(665.5mm x 215.9mm x 279.4mm)

### Weight:

132lbs  
(59.9kg)



## Key Benefits

- ✓ Safe, Non-Toxic Lithium Iron Phosphate Cells
- ✓ NeverDie® Battery Management System Maximizes Lifespan
- ✓ Fire and Crush Tested Aluminum Alloy Enclosure meeting UL 1973 Certification

## Reliable Power, Unmatched Versatility

Our battery system features easy expandability for extended run times and delivers dependable performance, even in extreme temperatures.

# SPECIFICATIONS

## NOMINAL VOLTAGE AND CAPACITY

12.8V 660Ah 8,448Wh

## SHIPPING

UN3480, Class 9

## CERTIFICATIONS

**UNDOT:** UN38.3

**UL:** UL1973 (battery assembly)  
UL1642, UL1973 (cells)

## INTERNAL HEATER

**Power Rating:** 70W

**Nominal Input Voltage:** 12V

**Input Current:** 5.8A

**Thermostat Activation and**

**Deactivation (Internal):** <43°F (6°C) On, >48°F (9°C) Off

## STORAGE

Refer to the Lithionics® Website for the Storage Procedure

## DISCHARGE

**Operating Voltage Range:**

11.6V to 14.4V  $\pm 0.2V$

**Operating Temperature Range:**

-4°F (-20°C) to 140°F (60°C)

**Recommended Discharge**

**Current:** <300A

**Max Discharge Current:** <375A

**Pulse Current (1 second):**

<3,750A

**Low Voltage Cut-Off:** 11.6V

$\pm 0.2V$

## CHARGE

**Charge Voltage:** 14.4V  $\pm 0.2V$

**Operating Temperature Range:**

32°F (0°C) to 140°F (60°C)

(Ambient -4°F (-20°C) with Heater Power)

**Recommended Charge Current:**

<300A

**Float Voltage:** 13.6V  $\pm 0.2V$

**Max Charge Current:** <375A

\*Maximum charging and discharging rates vary with temperature and usage

\*UL1973 testing: Maximum charge and discharge currents were tested at 25°C/77°F

## ELECTRICAL

**Internal Resistance:** <3m $\Omega$

**Coulombic Efficiency:** 99%

**Self-Discharge Rate (per month):** <3%

**Cell Type:** LiFePO<sub>4</sub> Prismatic Cells

**Power Connection:** Anderson A320 Female

## MECHANICAL

**Mounting Orientation:** Upright position only (black lid up)

**Enclosure Material:** 0.09" Aluminum 5052

**Enclosure Corrosion Protection:** Iridite Chromate Conversion Coating + Powdercoat Paint

**Ingress Protection:** IP66

**APPLICATION NOTE: EXTERNAL BMS REQUIRED. BMS SOLD SEPARATELY.**

## BMS Advanced Features

- External Battery Management System (BMS) for enhanced safety and monitoring
- Bluetooth connectivity for real-time diagnostics
- State-of-Charge (SoC) monitoring to prevent unexpected shutdowns
- High current capability up to 400A for versatile applications
- Remote monitoring app (Google Play and Apple App Store)



**CAT # NDV9**

## Powering Innovation.

Discover the right lithium replacement system for you. Reach out to Lithionics' expert support team to find your perfect power solution.