

24V 200Ah Flatpack Battery Module



GTO Series Batteries

CAT # GTO24V200A-E1914



Battery Details

200Ah at 25.6V
5,120 Watt-Hours



UL 1973 Certified
for Motive Applications

KEY BENEFITS

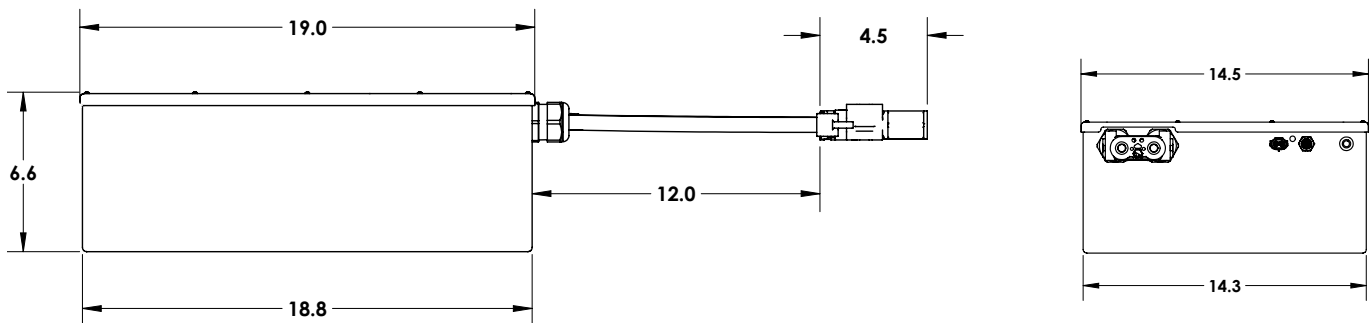
- + **Cell-Level Safety:** Premium matched Lithium Iron Phosphate (LiFePO4) Cells optimized for safety and long cycle life
- + **NeverDie® Battery Management System:** Smart BMS technology continuously monitors and protects to maximize battery lifespan
- + **Fire & Crush Tested:** Aluminum Alloy Enclosure meets UL 1973 Certification

Reliable Power, Unmatched Versatility

Our batteries feature easy expandability for extended run times and deliver dependable performance, even in extreme temperatures.

DIMENSIONS

Size (L x W x H)	19.0" x 14.5" x 6.6"	482.6mm x 368.3mm x 167.6mm)
Weight	93.0lbs	42.2kg



SPECIFICATIONS

NOMINAL VOLTAGE AND CAPACITY

25.6V 200Ah 5,120Wh

SHIPPING

UN3480, Class 9

CERTIFICATIONS

UNDOT UN38.3

UL UL1973 (battery assembly), UL1642, UL1973 (cells)

INTERNAL HEATER

Power Rating 70W

Nominal Input Voltage 12V

Input Current 5.8A

Thermostat On/Off (Internal) <43°F (6°C) On, >48°F (9°C) Off

MECHANICAL

Mounting Orientation Upright position only (black lid up)

Enclosure Material 0.09" Aluminum 5052

Enclosure Corrosion Protection Iridite Chromate Conversion Coating + Powdercoat Paint

Ingress Protection IP66

STORAGE

Refer to the Lithionics® Website for the Storage Procedure

ELECTRICAL

Internal Resistance <2mff

Coulombic Efficiency 99%

Self-Discharge Rate (per month) <3%

Cell Type LiFePO₄ Prismatic Cells

Power Connection Anderson A320 Female

Series Connection Supported when paired with a compliant BMS

CHARGE

Charge Voltage 28.8V 30.4V

Operating Temperature Range 32°F (0°C) to 140°F (60°C) (Ambient -4°F (-20°C) with Heater Power)

Recommended Charge Current <100A

Float Voltage 27.2V 30.4V

Max Charge Current <160A

DISCHARGE

Operating Voltage Range 23.2V to 28.8V 30.4V

Operating Temperature Range -4°F (-20°C) to 140°F (60°C)

Recommended Discharge Current <100A

Max Discharge Current <160A

Pulse Current (1 second) <1,600A

Low Voltage Cut-Off 23.2V 30.4V

1. UL 1973 Certified: Battery is UL 1973 Certified when used with external circuit breaker and ampsal connector.
2. Maximum charging and discharging rates dependent upon the ambient temperature and usage. UL1973 testing: Maximum charge and discharge currents were tested at 25°C/77°F.

CAT # NDV9

BMS Advanced Features

- External Battery Management System (BMS) for enhanced safety and monitoring
- Bluetooth connectivity for real-time diagnostics
- State-of-Charge (SoC) monitoring to prevent unexpected shutdowns
- High current capability up to 400A for versatile applications
- Remote monitoring app (Google Play and Apple App Store)

BMS required.
Sold separately.



DS-011