

# 24V 630Ah BATTERY MODULE

## GTX SERIES

CAT # GTX24V630A-F4113



### Battery Details

630Ah at 25.6V  
16,128 Watt-Hours



UL 1973 Certified for  
Motive Applications

## Key Benefits

- ✓ Safe, Non-Toxic Lithium Iron Phosphate Cells
- ✓ NeverDie® Battery Management System Maximizes Lifespan
- ✓ Fire and Crush Tested Aluminum Alloy Enclosure meeting UL 1973 Certification

### Reliable Power, Unmatched Versatility

Our battery system features easy expandability for extended run times and delivers dependable performance, even in extreme temperatures.

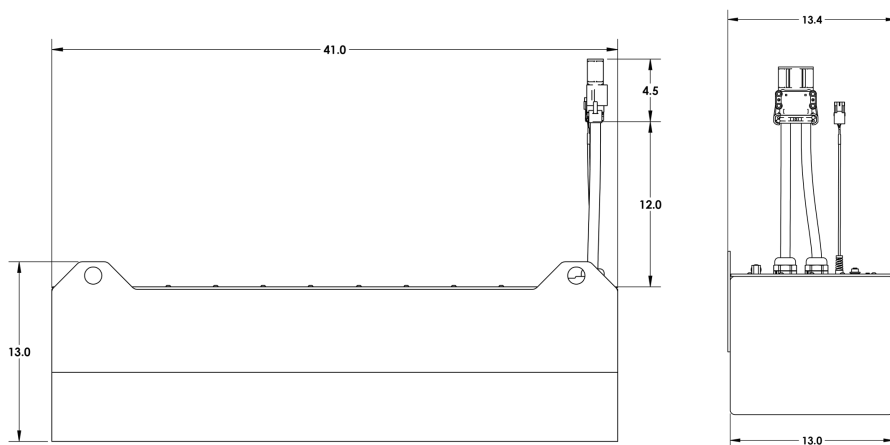
## DIMENSIONS

### Size (L x W x H):

41.0" x 13.4" x 13.0"  
(1,041.4 x 339.6 x 326.4)

### Weight:

302lbs  
(137kg)



# SPECIFICATIONS

## VOLTAGE AND CAPACITY

25.6V 630Ah 16,128Wh

## SHIPPING

UN3480, Class 9

## CERTIFICATIONS

UN38.3, UL1973 (battery assembly) UL 1642, UL1973 (cells)

## INTERNAL HEATER

70W Power Rating  
12V Nominal Input Voltage  
5.8A Input Current  
Thermostat Activation and Deactivation (Internal) <43°F (6°C) On, >48°F (9°C) Off

## STORAGE

Refer to the Lithionics® Website for the Storage Procedure

## ELECTRICAL

<4mΩ Resistance  
99% Coulombic Efficiency  
<3% Self-Discharge Rate (per month)  
Prismatic, LiFePO<sub>4</sub> Cells  
Power Connection: Anderson A320 Female

## DISCHARGE

23.2V to 28.8V ±0.4V  
-22 to 140°F (-30 to 60°C)  
<630A Recommended Discharge Current  
<375A Discharge Current  
<3,150A Pulse Current (1 second)  
23.2V ±0.4V Cut-Off Voltage

\*Charging and discharging rates vary with temperature and usage

\*UL1973 testing: Maximum charge and discharge currents were tested at 25°C/77°F

## MECHANICAL

Mounting Orientation: Upright position only (black lid up)  
Aluminum 5052.090" Enclosure  
Military Grade Corrosion Protection Enclosure  
Ingress Protection: IP66

## CHARGE

28.8V ±0.4V  
32°F to 140°F (0 to 60°C)  
-4°F (-20°C) with Heater Power Connected  
<315A Recommended Charge Current  
27.2V ±0.4V Float Voltage  
<375A Charge Current

**APPLICATION NOTE: EXTERNAL BMS REQUIRED. BMS SOLD SEPARATELY.**

## BMS Advanced Features

- External Battery Management System (BMS) for enhanced safety and monitoring
- Bluetooth connectivity for real-time diagnostics
- State-of-Charge (SoC) monitoring to prevent unexpected shutdowns
- High current capability up to 400A for versatile applications
- Remote monitoring app (Google Play and Apple App Store)



**CAT # NDV9**

## Powering Innovation.

Discover the right lithium replacement system for you. Reach out to Lithionics' expert support team to find your perfect power solution.