

SBC2500 Charger

Service Balance Charger Series



#20-300-16-SBC-DIN-V9
#20-300-32-SBC-DIN-V9



SBC2500 Charger Details

CANBus or Optolooop service charging
Water resistant & compact enclosure

KEY BENEFITS

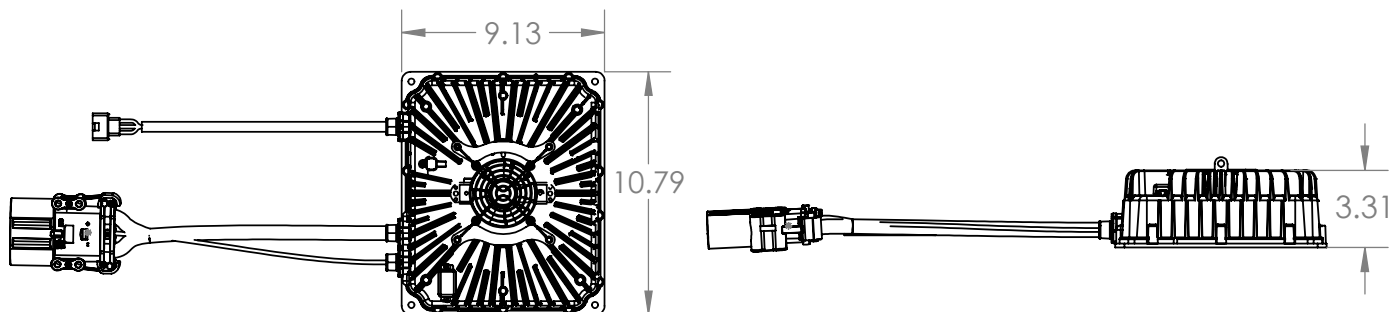
- + **Effortless Connections:** Comes with a pre-installed Din connector, making module connections quick and simple.
- + **Versatile Charging:** Handles both modern Ion-bus integrated modules and legacy Opto-loop modules, delivering seamless charging and balancing across your entire setup.
- + **Built-In Protection:** Short circuit, reverse polarity, voltage, and temperature safeguards.

Deep-Discharge Rescue

Designed to service over-discharged batteries or modules needing manual balancing without an external BMS. Pre-configured with the Lithionics charging algorithm, it safely restores modules and helps prevent damage from deep discharge.

DIMENSIONS

Size (L x W x H)	9.1" x 10.8" x 3.3"	231.1mm x 274.3mm x 83.8mm
Weight	12.0 lbs	5.4 kg



Note: The SBC2500 Charger is offered in multiple nominal voltage configurations.

SPECIFICATIONS

AC INPUTS

AC Input Voltage Range	85VAC-265VAC
AC Input Voltage Nominal	120VAC/220VAC

ELECTRICAL

AC Power Factor	> 0.99 @220VAC Input
AC Input Frequency	50Hz-60Hz
Conversion Efficiency	≥ 95% @220VAC input
DC Voltage Accuracy	≤ 0.5%
DC Current Accuracy	≤ 2%

MECHANICAL

Environmental Rating	IP66
Operating Temperature	-13°F to 131°F (-25°C to 55°C)
Storage Temperature	-40°F to 176°F (-40 °C to 80 °C)

51V CAT #20-300-16-SBC-DIN-V9

DC Nominal Voltage	51V
Max Output Current @110VAC Input	25A (max 1.5kW)
Max Output Current @220VAC Input	35A

102V CAT #20-300-32-SBC-DIN-V9

DC Nominal Voltage	102V
Max Output Current @110VAC Input	13A (max 1.5kW)
Max Output Current @220VAC Input	25A (max 3kW)

INCLUDED PARTS

110VAC Cord/Plug
Preinstalled Anderson A320 Connector

Powering Innovation.

Discover the right lithium replacement system for you. Reach out to Lithionics' expert support team to find your perfect power solution.

DS-045