

SINGLE CHANNEL

Advanced Battery Management System

CAT # NDV9



Voltage Options

12V to 102V

Key Benefits

- ✓ Advanced iONbus® Technology
- ✓ NeverDie® Power Reserve
- ✓ Suitable for Various Applications

Reliable Power, Seamless Integration

Experience peace of mind with Lithionics Bluetooth app for real-time monitoring and diagnostics. Optimize your battery usage utilizing our innovative Battery Management System (BMS) that provides advanced protection ensuring battery safety and longevity. Easily connect multiple batteries to a single BMS by plugging directly into a combiner box.

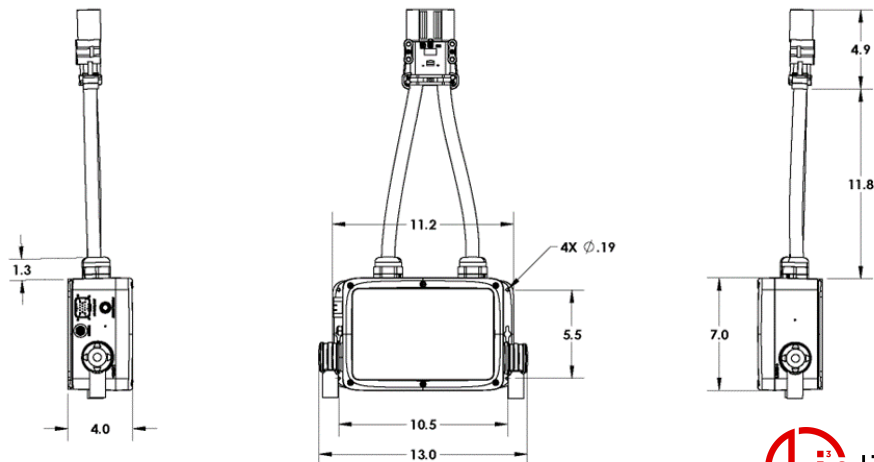
DIMENSIONS

Size (L x W x H):

13.0" x 23.7" x 4.0"
(330.2 x 601.9 x 101.6)

Weight:

8.0lbs
(3.6kg)



SPECIFICATIONS

VOLTAGE AND CAPACITY

12.8V to 102.4V (4S-32S)
400A* Amperage Continuous

AMPSEAL-14 Functions (Support depends on specific AMPSEAL-14 wire harness)

Alternator Control, Generator Control, Remote Lighted Reset, Alarm Battery Low LED, Emergency-Stop, RS232, Aux. External Power Source

Bluetooth®

Includes App (iOS, Android). Monitoring, Datalogging, Firmware Updates, PIN Security

FEATURES

Protection Features

Reserve, Pack Over and Under Voltage, Cell Over and Under Voltage, Cell Over and Under Temperature, Contactor Over-Temperature, Contactor State, Short Circuit, Over Current, Pre-charge

Optional Features

RS232 (In place of Bluetooth), Ethernet TCP/IP, NMEA 2000 Port

Easily Integrates With

NCC CANbus Chargers, IonGauge Display, Victron Cerbo Support, Wakespeed WS500 Alternator Regulator, RV-C Compliant Devices, NMEA 2000 Compliant Devices, SmartPower Alternator Series, Lithionics 3,000W Inverter-Charger

MECHANICAL

5/16-18 Terminal Size
108-132in-lbs (12.2-14.9Nm) Terminal Torque
Ingress Protection: IP66

iONbus (M12 Connector)

Combines OptoLoop and CANbus RV-C technology into one connector

Included Components

IonBus T-Adapter, 2 IonBus Terminators, Terminal Covers

* 325A continuous with a single 4/0 Wire, 400A continuous requires 350MCM or 2x4/0 cables connected to each of the BMS terminals for heat dissipation



DS-018

Powering Innovation.

Discover the right lithium replacement system for you. Reach out to Lithionics' expert support team to find your perfect power solution.